



POINT
OF SALE



MOBILE



TICKETING



AVIATION




GAMING /
LOTTERY /
BETTING



Kiosk & Industrial Division

Self-service and Kiosk Printers



DISCOVER
ALL OUR
SELF-SERVICE
KIOSK
PRINTERS 

57/60mm Kiosk Printers



Unique and Special Features

ANTI JAMMING

TEAR OFF

WIDE TEMPERATURE RANGE

VARIABLE GEOMETRY PAPER GUIDE

NEW SHUTTER

ADJUSTABLE PAPER HOLDER

INTEGRATED BEZEL

FOOT-PRINT

80/82.5mm Kiosk Printers



112mm and A4 Kiosk printers





Self-service and Kiosk Printers

THE SOFTWARE TOOLS: VALUE FOR A SMOOTH INTEGRATION

DRIVERS

- Win Self-installing
- Windows 8
- Windows CE
- Linux
- MAC
- Android
- IOS
- Opos
- Javapos
- Wosa

FIRMWARE

- AEA
- FGL

SDK

- Android
- IOS
- Win Phone 8

TOOLS

- CePrinterSet
- Remote Status Monitor
- CPT Custom Power Tool



iOS



Self-service and Kiosk Printers

KIOSK PRINTERS - THE FUTURE TODAY !



Drag&Drop logos



International Fonts



GreyScale Printing



2D barcodes



*Remote monitoring by
Web Server*



Veriprint

CUSTOM[®]

INDUSTRIAL



POINT OF SALE
TICKETING
MOBILE
AVIATION
GAMING / LOTTERY / BETTING

Product's Features





57MM RECEIPT/TICKET PRINTER

TG02H Tear Off

- Speed > of 80mm/sec
- Up to 70mm paper roll diameter
- RS232 and USB interface
- 1D/ 2D barcodes printing capability (QRCODE)
- International fonts on board: any language available
- Highly reliable tear off
- Sensors: head temperature, paper presence, near paper end, anti-jamming
- Power supply 12V and 24V
- Outdoor applications: -20/+ 70°C working temperature
- Low power consumption in stand-by
- Dual side paper roll holder with near paper end



SDK and APP available



2D Barcode



Fonts
on Board

CASE HISTORY



Vending

 *PHONES &
ELECTRONIC
ITEMS*



CASE HISTORY



Telephone Recharges

Laundry

 
by
 **IPM FRANCE**
Leader de la borne interactive



  **LAUNDERETTE**



60MM RECEIPT/TICKET PRINTER

TG2460H Tear off & Cutter

- Speed > of 140mm/sec
- Up to 120mm paper roll diameter
- RS232 and USB interface
- 1D/ 2D barcodes printing capability (QRCODE)
- Fonts: European, International, Portuguese, Nordic, Chinese, Russian and Thai
- Highly reliable cutter: > 1.000.000 cuts
- Sensors: head temperature, paper presence, anti-paper jam, ticket withdrawal, paper end, near paper end (optional)
- Aluminium printer mechanism for a better stability in time and reliability
- Improved distribution of the head-roller pressure, for a better printing quality
- Patented anti-jamming system
- Illuminated paper bezel
- Outdoor applications: -20/+ 70°C working temperature





60MM RECEIPT/TICKET PRINTER

TG1260H Tear off & Cutter

- Speed > of 60mm/sec
- Up to 120mm paper roll diameter
- RS232 and USB interface
- 1D/ 2D barcodes printing capability (QRCODE)
- All international fonts
- Highly reliable cutter: > 1.000.000 cuts
- Sensors: head temperature, paper presence, anti-paper jam, ticket withdrawal, paper end, near paper end (optional)
- Aluminium printer mechanism for a better stability in time and reliability
- Improved distribution of the head-roller pressure, for a better printing quality
- Patented anti-jamming system
- Illuminated paper bezel
- Outdoor applications: -20/+ 70°C working temperature
- **0 power consumption in stand by**



SDK and APP available

CASE HISTORY

Payment Kiosks



Parcel Machine



Parcometer



Cash Handling



CASE HISTORY



Car Washing



Vending



CUSTOMIZED
T-SHIRTS



Various



by



60MM RECEIPT/TICKET PRINTER

TL60/TL60-EJ Cutter / Ejector

- Speed > of 140mm/sec
- Up to 80mm paper roll diameter
- RS232 and USB interface
- 1D/ 2D barcodes printing capability (QRCODE)
- Fonts: European, International, Portuguese, Nordic, Chinese and Russian
- Highly reliable cutter: > of 1.000.000 cuts
- Sensors: paper presence and head open
- Aluminium printer mechanism for a better stability in time and reliability
- Improved distribution of the head-roller pressure, for a better printing quality
- Outdoor applications: -25/+ 70°C working temperature
- Available version with motorized ejector (TL60-EJ)
- Ejecting speed > of 1000mm/sec
- Very compact: just 77mm height
- Optional: 12V power supply





60MM RECEIPT/TICKET PRINTER

TPTCM60III Cutter & Presenter

- Speed > of 140mm/sec
- Up to 160mm paper roll diameter (with optional fixing stirrup kit)
- RS232 and USB interface
- 1D/2D barcodes printing capability (QRCODE)
- Illuminated paper output (LED)
- ALL International fonts on board: any language available
- Highly reliable cutter: > of 1.000.000 cuts
- Sensors: head temperature, paper presence, printing head open, paper end and near paper end (optional: near paper end on holder support)
- Strong motorised dispenser
- Aluminium printer mechanism for a better stability in time and reliability
- Improved distribution of the head-roller pressure, for a better printing quality
- Available cut & drop version
- Optional: plastic paper bezel



CASE HISTORY



QMS

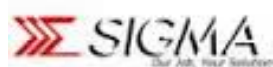
Self-payment



by

by

by



80MM RECEIPT/TICKET PRINTER

TG2480H / TG2480H-EJ Cutter / Ejector

- Speed > of 150mm/sec
- Up to 90mm paper roll diameter
- RS232 and USB interface
- 1D/ 2D barcodes printing capability (QRCODE)
- International fonts on board: any language available
- Highly reliable cutter: > of 1.000.000 cuts
- Sensors: head temperature, paper presence, paper anti-jam, ticket withdrawal, paper end and near paper end
- Aluminium printer mechanism for a better stability in time and reliability
- Improved distribution of the head-roller pressure, for a better printing quality
- Patented anti-jamming system
- Available 2 version: with motorized ejector (TG2480H-EJ) and with black bezel
- Ejecting speed > of 1000mm/sec



2D Barcode



SDK and APP available

CASE HISTORY

Telephone Recharges



EASYMATIC



Vending



SIM CARDS



Parcel Machines



WINCOR
NIXDORF

&



ATM



CASE HISTORY

QMS



Coupons



Service & Products Booking Kiosks



Laundry



SELF SERVICE
LAUNDRY
24 HOUR 24



80MM RECEIPT/TICKET PRINTER

TL80 Cutter

- Speed > of 150mm/sec
- Up to 90mm paper roll diameter
- RS232 and USB interface
- 1D/ 2D barcodes printing capability (QRCODE)
- Fonts: European, International, Portuguese, Nordic, Chinese and Russian
- Cutter life: > of 300.000 cuts
- Sensors: paper presence, head open and near paper end optional
- Aluminium printer mechanism for a better stability in time and reliability
- Improved distribution of the head-roller pressure, for a better printing quality
- Outdoor applications: -20/+70°C working temperature
- Very compact: just 77mm height



SDK and APP available

CASE HISTORY



ATM



Banking Info Kiosks





TICKET PRINTER MODULE

VK80 Heavy-duty Rotative Cutter

- Paper width from 45 to 82.5mm (guide insertion included)
- 200 dpi / 300 dpi version available
- Speed > of 200mm/sec
- USB and Ethernet interface
- 1D/ 2D barcodes printing capability
- True fonts: European, Chinese, Russian, any international font drag&drop easy upload
- Highly reliable cutter: > of 1.500.000 cuts
- Sensors: ticket presence, head temperature, black mark, ticket presence on output, printing head unit open
- Connectors behind chassis for very flexible kiosk integration
- Powerful engine for big paper rolls
- Optional: paper roll holder for 60 to 82.5mm paper width and near paper end sensor with cable



SDK and APP available

CASE HISTORY



Postal

POST & GO



by



by



CASE HISTORY



Access Control

 
by

Ap-art B.V.



Parking



80MM RECEIPT/TICKET PRINTER

VKP80II SX Cutter Ejector Presenter & Retracting

- Paper width from 60 to 82.5mm (adjustable paper-in for different paper width)
- Speed > of 220mm/sec
- Automatic ticket ejecting & retracting back (speed > of 1000 mm/s)
- High power motor feeder for huge paper roll (up to 300 mm Ø)
- RS232+USB interface
- 1D/ 2D barcodes printing capability (QRCODE, PDF417)
- International fonts on board: any language available
- Highly reliable cutter: > of 1.500.000 cuts
- Sensors: paper end, black mark, ticket presence, printing unit opening and paper low on roll holder
- Self-balancing paper roll support
- Illuminated paper bezel
- Patented anti-jamming system
- Outdoor applications: -20/+ 70°C working temperature



2D Barcode

Full Status
MonitorWorld
Wide N°1**450K pcs
in field**



80MM RECEIPT/TICKET PRINTER

VKP80II ETH Cutter Ejector Presenter & Retracting

- Paper width from 60 to 82.5mm (adjustable paper-in for different paper width)
- Speed > of 220mm/sec
- Automatic ticket ejecting & retracting back (speed > of 1000 mm/s)
- High power motor feeder for huge paper roll (up to 300 mm Ø)
- RS232+USB+Ethernet interface
- 1D/ 2D barcodes printing capability (QRCODE, PDF417, DATAMATRIX)
- Fonts: European, International, Arabic, Thai, Vietnamese, Portuguese, Nordic, Chinese and Russian
- Highly reliable cutter: > of 1.500.000 cuts
- Sensors: paper end, black mark, ticket presence, printing unit opening and paper low on roll holder
- Self-balancing paper roll support
- Illuminated paper bezel
- Patented anti-jamming system
- Outdoor applications: -20/+ 70°C working temperature





80MM RECEIPT/TICKET PRINTER

VKP80II

SHUTTER FOR OUTDOOR:

- *It allows to reduce the onsite technical assistance costs, because it significantly increases the life of the internal components*
- *Prevents the accidental introduction of objects in the printer bezel*
- *No need any firmware update*
- *It installs easily, even in the field (retrofit)*



CASE HISTORY

ATM



Banking Info Kiosks



Передовые
Системы
Самообслуживания
Группа компаний АйТи



Cash Handling



Cash Deposit



CASE HISTORY



Parking



by



SCHEIDT & BACHMANN



fiscal version



Info Kiosk



by



CASE HISTORY



Postal



by



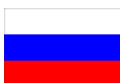
SELF PAYMENT POST SERVICES



QMS



PARCEL MACHINES



CASE HISTORY

Payment Kiosks



FinnKino

by



Medical



by



CASE HISTORY



Telephone Recharges



by
MTK
Ap-art B.V.



Toilet Payment



by
GUNNEBO
For a safer world[®]
FISCHER
ELECTRONICSYSTEME



Couponsing



by
TECH CAVE
technologies for marketing solutions



Car Washing



CASE HISTORY



Petrol



fiscal version



Vending



CONCIERGE KIOSK SELF CHECK OUT/IN



CASE HISTORY



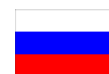
TKT – Transport - TVM



Poland Railways

by

Kolejowe Zakłady Łączności sp. z o.o.



Russian Railways

by



by



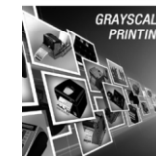
80MM RECEIPT/TICKET PRINTER

VKP80III Cutter Ejector Presenter & Retracting

- Paper width from 50 to 82.5mm
- Speed > of 250mm/sec
- Automatic ticket ejecting & retracting back (speed > of 1000 mm/s)
- Retracting function w/o ticket presentation (patented)
- Paper roll (diameter 180mm on board) and fan-fold (450 tickets)
- Hergonomic paper loading from the right or left
- RS232 and USB 2.0 full speed interface
- 1D/ 2D barcodes printing capability (PDF417, DATAMATRIX, AZTEC, QR CODE)
- International fonts on board: any language available
- Long life printing head (200Km)/ Highly reliable cutter: > of 1.000.000 cuts
- Sensors: paper end (ticket presence), paper out, open printer cover, near paper end on external paper roll holder, printing head temperature; VeriNotch: mobile notch/black mark sensor, non thermal side; Optional TopNotch
- Patented anti-jamming system with clean command
- Illuminated paper bezel
- Outdoor applications: -20/+ 70°C working temperature
- Hot swap and print head self-diagnostic function



CUSTOM
VKP80III



SDK and APP available



80MM RECEIPT/TICKET PRINTER

VKP80III

SHUTTER FOR OUT-DOR:

- *It allows to reduce the onsite technical assistance costs, because it significantly increases the life of the internal components*
- *Prevents the accidental introduction of objects in the printer bezel*
- *No need any firmware update*
- *It installs easily, even in the field (retrofit)*



DIGITAL JOURNAL PRINTER

The printer allows the saving of receipt data in the flash memory in text or image format; data can be simply read via USB (mass storage)



*Variable geometry
paper guide*

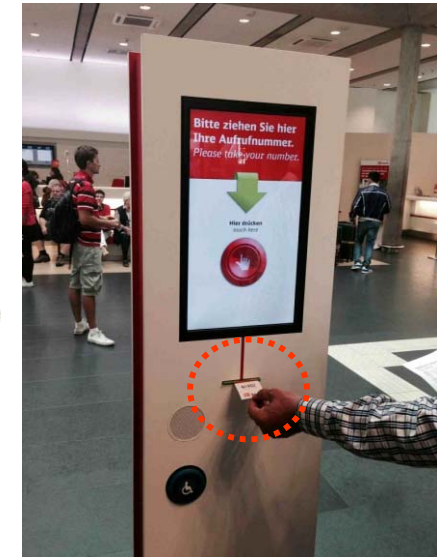
CASE HISTORY



Cash Deposit



QMS



Parking



Reverse Vending Machine





80MM RECEIPT/TICKET PRINTER



K80 TORNADO PRINTER

- Paper width from 76 to 80mm
- Speed > of 130mm/sec
- Up to 180mm paper roll diameter on board
- RS232 and USB interface
- 1D/ 2D barcodes printing capability (QRCODE)
- International fonts on board: any language available
- Highly reliable cutter: > of 1.000.000 cuts
- Sensors: head temperature, paper presence, near pap black mark 6 position (optional), ticket out (optional)
- Heavy-duty alluminium printing engine
- Patented anti-jamming system
- Anti-intrusion shutter
- Anti-splash paper exit
- On/Off switch
- Ultra-compact : 258(L) x 103.5(H) x 135(W) mm



SDK and APP available

80MM RECEIPT/TICKET PRINTER



K80 TORNADO PRINTER

3 version available:

K80 - TORNADO PRINTER - A: With output paper mouth, anti intrusion shutter and ticket sensor, low paper level sensor for roll up to 180mm

K80 - TORNADO PRINTER - B: Without output paper mouth and anti intrusion shutter, low paper level sensor for roll up to 180mm

K80 - PRINTING KIT - C: kit including printer mechanism, cutter & board





A4/US LETTER DOCUMENT SIZE PRINTER

KPM216HII ETH Cutter Ejector Presenter & Retracting

- 200dpi or 300dpi great printing quality
- Speed > of 180mm/sec
- Full loop presenter with Ejecting & Retracting functions (speed > of 1000 mm/s)
- RS232+USB+Ethernet interface
- 1D/ 2D barcodes printing capability (PDF417, DATAMATRIX)
- True Font support, any language available
- Highly reliable cutter: > of 300.000 cuts
- Sensors: paper end, ticket presence, near paper end, virtual paper
- Dot Damage Prevention
- Illuminated paper bezel (optional)



CASE HISTORY

Service Booking Kiosks



Info Kiosk



by
netvico



HR management



by

**WINCOR
NIXDORF**



A4/US LETTER DOCUMENT SIZE PRINTER

KM216H Cutter & Ejector

- 200dpi or 300dpi great printing quality
- Speed > of 180mm/sec
- RS232+USB interface
- 1D barcodes printing capability
- Font: European, International
- Cutter life: > of 300.000 cuts
- Sensors: head temperature, paper presence, notch sensor, paper out presence; near paper end optional
- Motorized ejector
- Dot Damage Prevention



CASE HISTORY



Banking Info Kiosks



Payment Kiosk





SPECIAL SOLUTIONS

DATA LOGGER

- Journal printer with rewriter
- Very large paper roll to assure a huge printing autonomy
- 80mm paper width

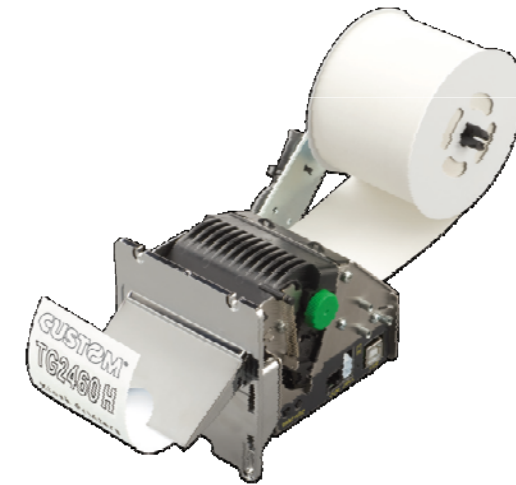


SPECIAL SOLUTIONS

PETROL STATION PRINTER

TG2460H

- Paper width 60mm
- Speed > of 140mm/sec
- Patented tear off system
- Hydrocarbons resistive chromium-plated bezel
- RS232 and USB interface
- Outdoor applications: -20/+ 70°C working temperature
- Available version with plastic mounth



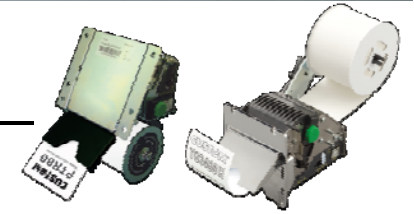
PTR80

- Paper width 80mm
- Speed > of 100mm/sec
- Patented tear off system
- Hydrocarbons resistive bezel
- RS232 interface
- Access to paper roll from both sides





CASE HISTORY



Petrol





SPECIAL SOLUTIONS

PRINTING & READING SYSTEM

- Accept and validate the ticket reading the barcode
- Automatic ticket ejecting & retracting back
- Retracting without presenting paper (patented)
- Cashless ticket management
- Ultra-compact size
- Anti-jamming system (patented)



Slot machine

Video Lottery

Access Control

Coupons & Promotional

Digital Signage

Recycling

Self postal box



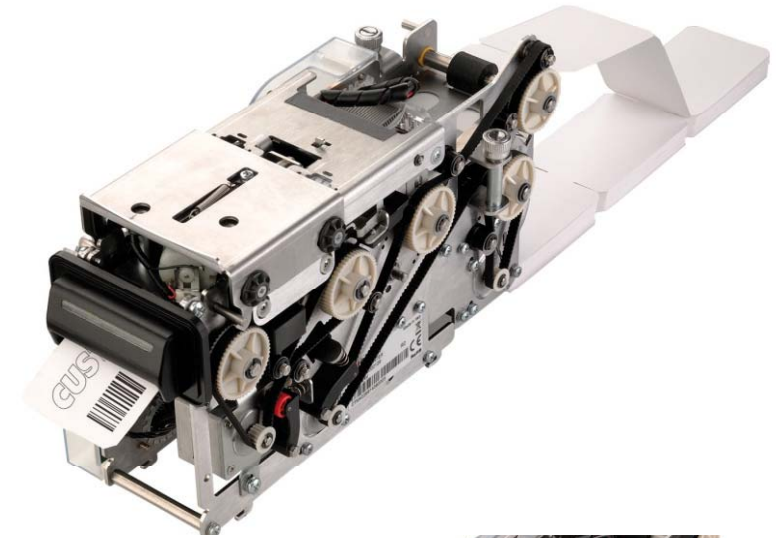


SPECIAL SOLUTIONS



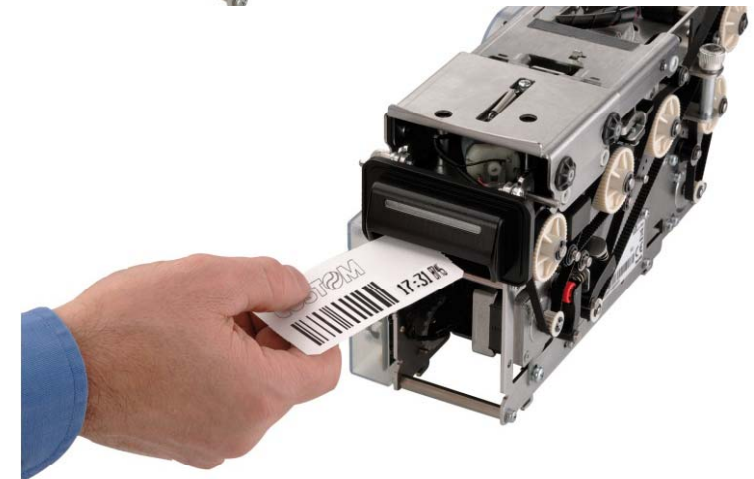
PP54 PARKING SYSTEM

- Ideal for parking applications
- Barcode reading to accept and validate the ticket
- Automatic ticket ejecting & retracting
- Patented full retracting (ticket does not appear)



Combines in a unique device :

- Parking entrance: printing, reading and issuing tickets in less than 1 second.
- Payment: receipt printing. It handles up to 2 coupons.
- Parking exit: reading & validating ticket. Capturing & Ejecting tickets.

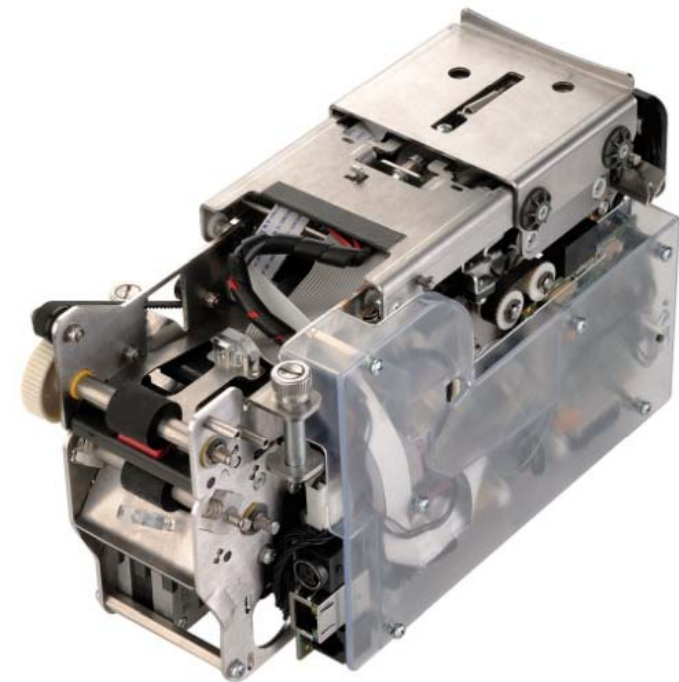


SPECIAL SOLUTIONS



PP54 PARKING SYSTEM

- Iso54 ticket HD full graphic printing capability (300Dpi)
- Barcode reading to accept and validate the ticket
- Modular system (ticket separator and printing/reading unit)
- Up to 2 coupons management
- Ticket ejecting
- Ticket retracting
- Ticket collecting
- Full Ticket scanning capability
- RGB led on paper mouth





SPECIAL SOLUTIONS



PP54 PARKING SYSTEM

HEAVY DUTY motors for outdoor use; Operating T°: -20°C > +60°C;

EASY MAINTENANCE (thermal head, control board, paper loading module, bezel, ..);

Standard ISO Ticket Management: In/Out reading & printing module system with detection of wrong ticket insertion

Printing speed: less than 1 second

1D & 2D Barcode Print & Read capability, Aztec, DataMatrix, PDF417, QRCODE

Paper weight range: 140 > 210 gr/m²

RS232 + Ethernet; USB as option (small board addon)

ALL International Fonts

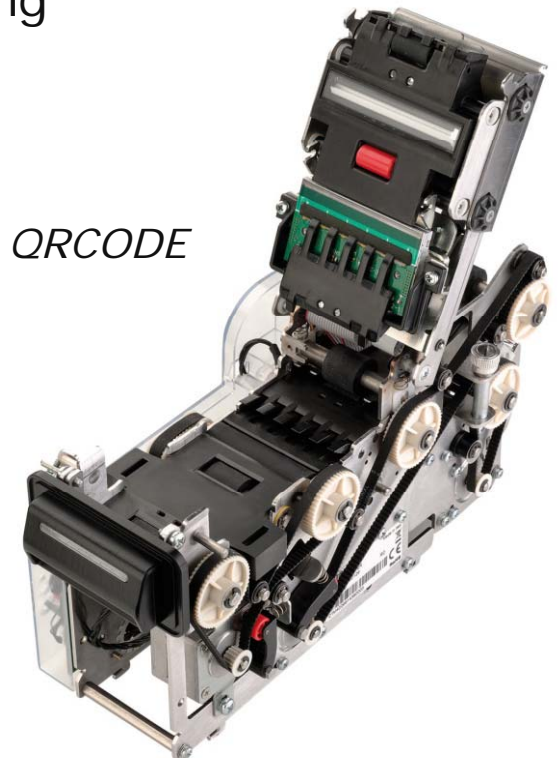
Zero Power Management (solar & battery app)

Power supply: 24Vdc

RGB LED paper mouth

Windows and Linux Drivers

SDK Development Kit

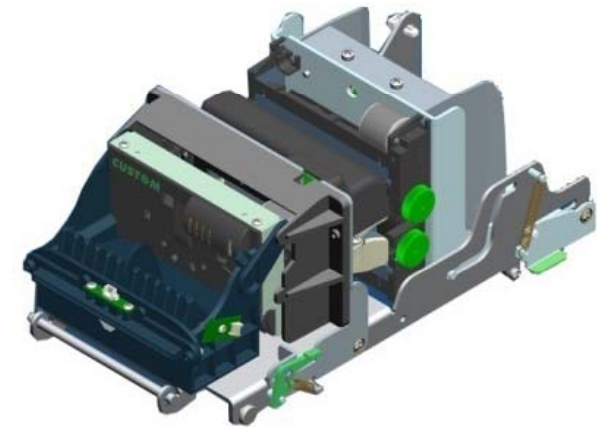


SPECIAL SOLUTIONS

DUAL FEEDING

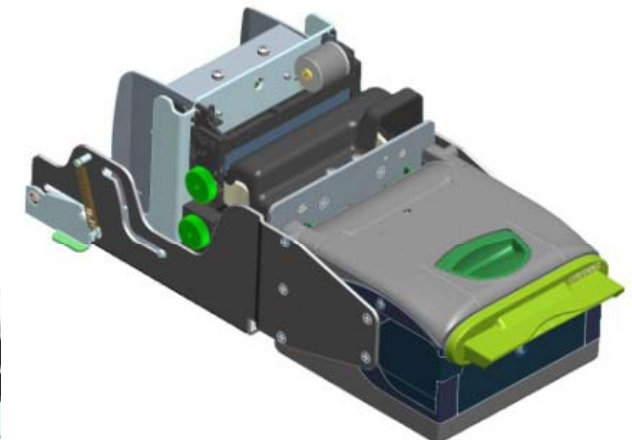
TG2480H DF

- Dual paper feeder capability
- Ticket and Label
- Up to 130gsm



VKP80III DF

- Dual paper feeder capability
- Ticket and Label





Anti-counterfeiting System



HOLOGRAM LABEL

Phone,
SMS,
Website
contacts



CUSTOM logo

QR Code
partially
covered

Only scratching
this surface the
QR Code can be
read

EACH PRINTER IS IDENTIFIED BY AN UNIVOCAL
"SECURITY CODE" WRITTEN UNDER THE SCRATCH-OFF AREA



**20 DIGITS
SECURITY CODE**



ANTI-COUNTERFETING SYSTEM

HOW CUSTOMERS CAN VERIFY THE ORIGINALITY OF THE PRINTER?

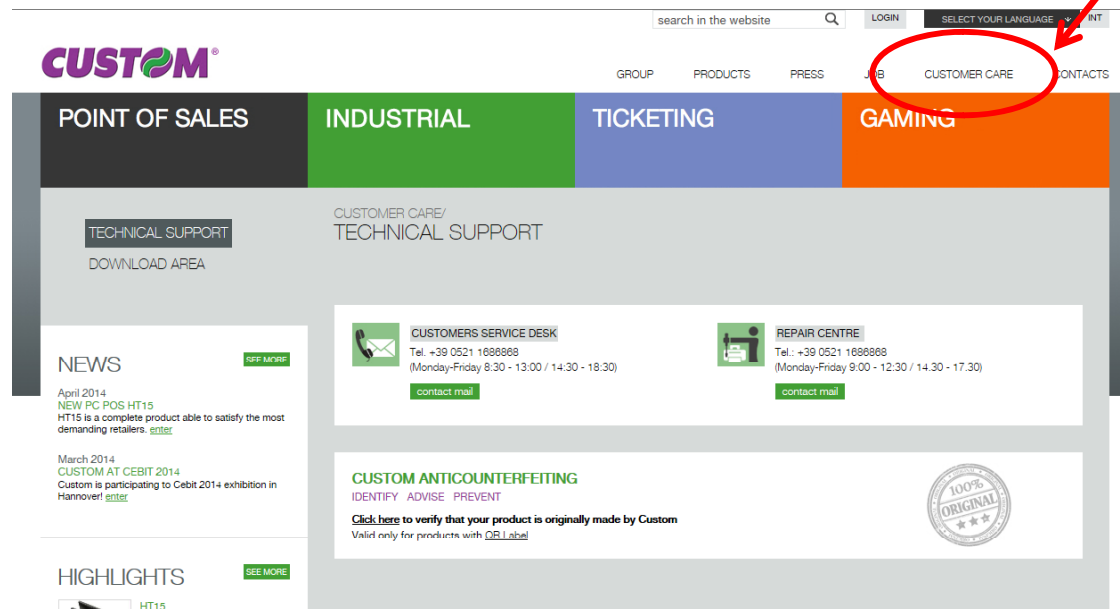
AFTER SCRATCHING THE QR LABEL THERE ARE SEVERAL EQUIVALENT SYSTEM TO CHECK IF THE PRODUCT IS ORIGINAL MADE BY CUSTOM:

1. CONNECTING TO CUSTOM'S WEBSITE WWW.CUSTOM.BIZ
2. READING THE QR CODE BY SMARTPHONE
3. CALLING BY PHONE THE CONTACT NUMBER
4. SENDING A SMS TO THE CONTACT NUMBER



ANTI-COUNTERFEITING SYSTEM

- CONNECTING TO CUSTOM'S WEBSITE WWW.CUSTOM.BIZ IN THE "CUSTOMER CARE" SECTION THERE IS A DEDICATED AREA WHERE INPUT THE SECURITY CODE





ANTI-COUNTERFEITING SYSTEM

The serial number of the first printer with hologram label is
MEC4002114161837 - P/N: 915DW010100300

Description: VKP80II USB RS232 ESP CN



In China they started to apply the hologram labels
and soon all the printers produced will be equipped with it

- VKP80II
- VKP80III
- TG02H
- TG12/2460H
- TG2480H
- TL60
- TL80





Industrial Solutions



DISCOVER ALL
OUR INDUSTRIAL
PRINTERS ▶

Modules and printing mechanisms



Custom origin is set on these products => more than 22 years of experience

All our ranges of products are utilizing as CORE these products like mechanisms and cutter => strategic products for Custom itself

Panel Printers



The technical features and reliability of this range is essential for the performance of all our products like the kiosk ones



THERMAL PRINTING MECHANISM & KITS

Upgrade to ALUMINIUM CHASSIS

Heat dispensing

New sturdy motor

New thermal head

Same price of the current plastic mechanisms

Higher quality and higher reliability

- Paper width: 60/80/112mm
- 200dpi (8dots/mm) printing resolution
- Autoloading capability
- Reliability with compact footprint
- Printing speed from 75 to 150mm/sec
- High torque paperpulling motor
- Silicon rubber paper feeding roll
- Possibility to manage labels too





CASE HISTORY

ATM



Parcometer



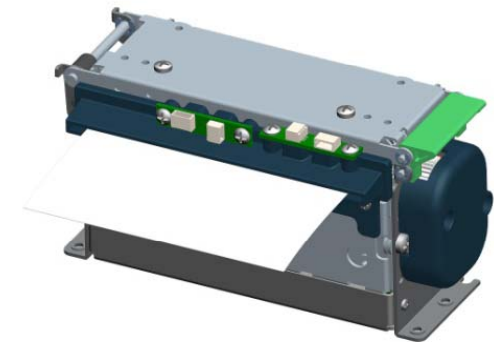
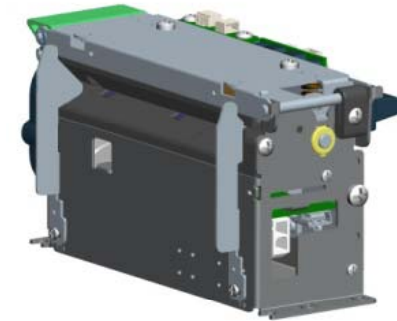
Medical



THERMAL PRINTING MECHANISM & KITS

MODUS 3 Ultra-compact Printing Module

- Paper width 80/82.5mm
- RS232 + USB interface
- 1D/2D barcodes printing capability
- International fonts on board: any language available
- Highly reliable cutter: > of 1.000.000 cuts
- Outdoor applications: -20 / +70°C working temperature
- Anti-intrusion shutter (optional)
- Available vertical mounting version with ejector





Panel printers: our origin, our story

- >> Panel printers are used in all applications where you need to print detected data.
- >> We can print on: Paper, Linerless, MaxStick repositionable labels
- >> and 'still a market worth Custom to over 150,000 units per year

- >> *Multilanguage capability (Chinese 18030, Thai, kanji, Cyrillic ...)*
- >> *2D barcode support*
- >> *CePrinterSet new tool software for set-up from PC:*
 - 1) *no paper waste*
 - 2) *90% less time for production*
- >> *Wide range of drivers (ex. WinCE 6.0, Linux ...)*
- >> *ECO and power off functions to minimize power drain*
- >> *Wide range power 3.3-7.5V & Optionally 8-42V*
 - 1) *suitable for battery powered solutions*
 - 2) *simplier to integrate FAST INSTALLATION*
 - 3) *use available power*
 - 4) *reduce the cost of the power supply*



MINI PANEL PRINTER

mPLUS2

- Paper width 58mm
- Paper thickness 55-70gr/mq
- Power supply 4 to 7,5Vdc +/- 10%
- 4MB internal flash memory for logos and fonts
- Interfaces on board: MiniUSB B, serial RS232 and serial TTL (selectable with lever switch)
- 1D/2D barcodes printing capability (QRCODE and PDF417)
- International fonts on board: any language available
- Sensors: head temperature, paper end
- Outdoor applications: -20 / +70°C working temperature



SDK and APP available





CASE HISTORY



Garage Equipment



Watches control





PANEL PRINTER

PLUS2

- Paper width 58 mm
- Paper thickness 55-70gr/mq
- Roll dimension Ø 50mm
- Power supply 4-7,5Vdc
- 4MB internal flash memory for logos and fonts
- Interfaces: RS 232/TTL (selectable with lever switch), miniUSB
- 1D/ 2D barcodes printing capability (QRCODE)
- International fonts on board: any language available
- Sensors: head temperature, paper presence, door open (opt.)
- RGB status LED
- Outdoor applications: -20 / +70°C working temperature
- FEED button
- Optional: extended range module 8-42V, mechanism version and applications.



LINERLESS CAPABILITY: with one printer model it's possible to print on 'linerless' adhesive paper or on standard thermal paper, satisfying different needs and applications.



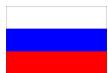
SDK and APP available

CASE HISTORY



Cash Handling

Cash Deposit



CASE HISTORY – Industrial Automation



Fire Alarm Control

 **Panasonic**



 **SIEMENS**



A/C Recharge



**HYDRAULIK
SEEHAUSEN**



BOSCH
Invented for life



CASE HISTORY – Industrial Automation



PLC



Medical



Testing



Weighing





WIDE PANEL PRINTER

PLUS4

- Printing width max 104mm
- Paper width 112 mm (max 114mm) with internal guides for 80 and 82.5mm formats
- Paper thickness 60gr/mq
- Power supply 5-8Vdc
- 4MB internal flash memory for logos and fonts
- interfaces: RS232/TTL (selectable with lever switch), miniUSB
- 1D/ 2D barcodes printing capability (QRCODE)
- International fonts on board: any language available
- Sensors: head temperature, paper presence, door open (opt.)
- Status LED
- FEED button
- Metal tear-off
- Linerless paper and Maxstick printing
- Optional: RS 232/TTL and miniUS B, 5-8Vdc, mechanism version



LINERLESS CAPABILITY: *with one printer model it's possible to print on 'linerless' adhesive paper or on standard thermal paper, satisfying different needs and applications.*



SDK and APP available

CASE HISTORY – Industrial Automation



PLC



**Rockwell
Automation**



Medical



CUSTOM[®]

Thank you



POINT
OF SALE



INDUSTRIAL



TICKETING



MOBILE



AVIATION



GAMING /
LOTTERY /
BETTING

CUSTOM S.p.A.
Operations and R&D
Via Berettine, 2 - 43010 Fontevivo Parma ITALY
Tel. +39 0521 680111 - Fax +39 0521 610701

Logistics Hub
Via Lisbona, 5
43010 Interporto di Fontevivo, Parma ITALY

www.custom.biz